



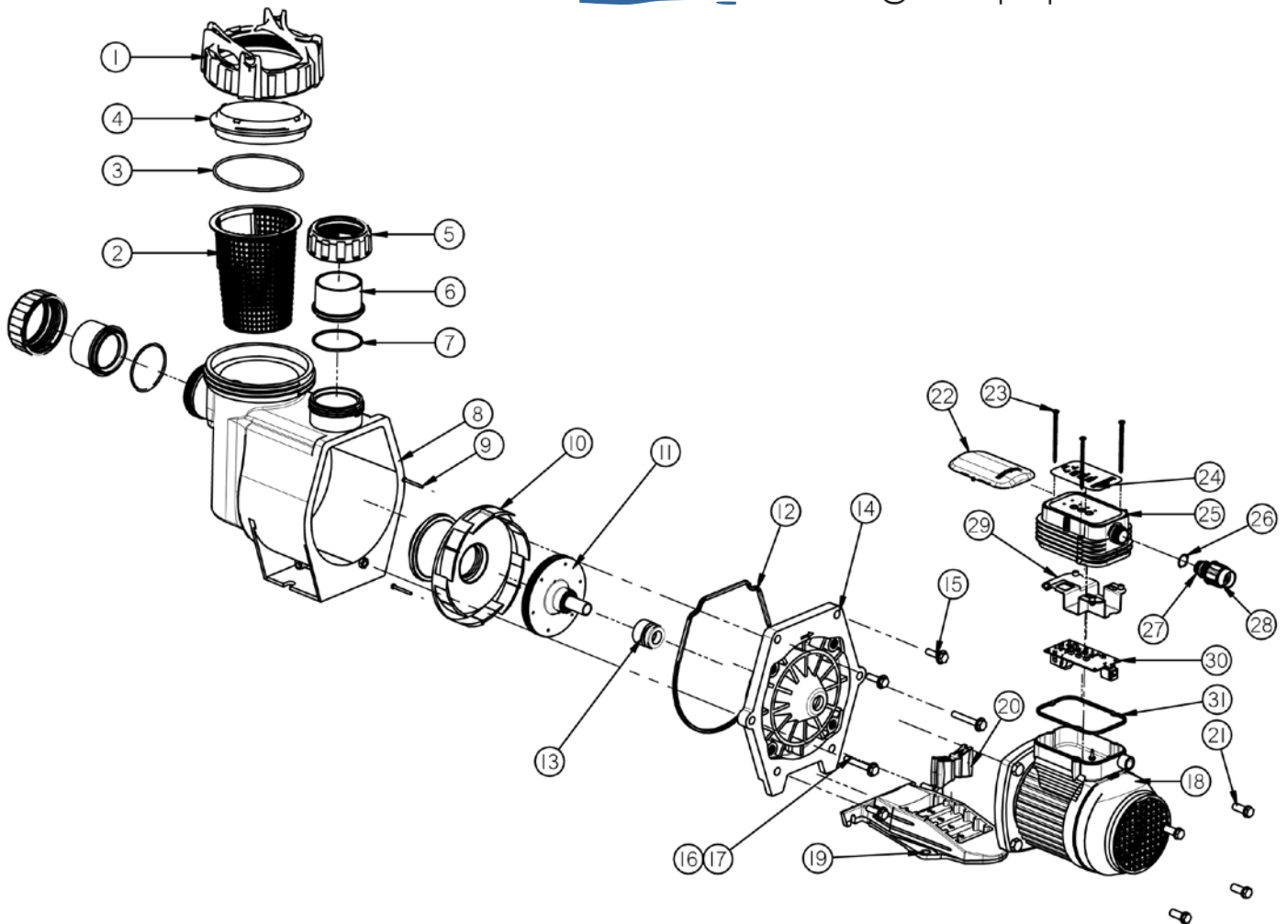
Rainbow Pool Products

PO Box 2388, Mansfield Qld 4122

Telephone STD 61-7-3849 5385

Facsimile STD 61-7-3849 5384

Email: info@rainbowpoolproducts.com.au



VIRON P280 PUMP

Key	Description	Product Code	Qty Required
1	PUMP LID -1/4 TURN CLAMP- TX/CTX	40088	1
2	FILTER BASKET - TX/CX/E/ CTX PUMPS	40065	1
3	O RING - PUMP LID (INTERNAL SCREW)	70006	1
4	PUMP LID -1/4 TURN - CLEAR- TX/CTX	40087	1
5	LOCK NUT UNION - 50MM	950919	2
6	TAIL UNION 50MM-40MM REDUCER	950918	2
6	TAIL UNION - 50MM ABS	950920	2
7	O RING - 50MM UNION	70003	2
8	VOLUTE - TX/CX/ E PUMP	40076	1
9	BOLT - PAN HEAD 6g X 35 S/TAP S/STEEL	40165	2
10	DIFFUSER - SMALL - BX/CTX/E/P300	40071A	1
11	IMPELLER MOULDED 11.5MM - SMALL	40060F	1
12	SQUARE O RING (SEAL PLATE) EPDM	70004	1
13	MECHANICAL SEAL - BX/TX/CX/E/CTX	75508	1
14	SEAL PLATE - (BLACK) - P300	40091	1
15	BOLT - M8 X 30 IND HEX SEMS S/STEEL	40150	4
16	NUT - M8 S/STEEL - TX/CXE/CTX PUMP	40170	2
16	MOTOR - IMPOWER BLDC 1HP	71423	1
17	BOLT - M8 X 55 IND HEX SEMS S/STEEL	40160	2
19	MOTOR FOOT - BLACK	40051	1
20	RUBBER INSERT - V2 - PUMP MOTOR	40056	1
21	WASHER - M10 X 25 IND HEX HEAD S/STEEL	40156	4
22	PCB CONTROL BOX - NO LABEL - P300	11482	1
22	BLDC HINGED CONTROLLER LID	70550	1
23	SCREW - 8g x 2"" PANHEAD S/TAPPING	70555	3
23	4G x 3/8 PAN HEAD ZP SELF TAPPER	882603	3
24	LABEL - P280 PUMP CONTROL BOX	LABEL253	1
25	COVER MAIN BODY FOR BLDC PUMP	70552	1
26	O RING - BS113 - FOR INJECTION	525133	1
27	RC END CAP - BLANKING PLUG	70378	1
28	BLDC MOULDED COVER NUT	70554	1
29	BLDC MOULDED PCB DIVIDER	70553	1
30	PCB - FOR BLDC P300 PUMP	70501	1
	O RING - TAIL UNION 65MM - BX/FX/CT	78104	1
	CHECK VALVE ASSEMBLY - ALL PUMPS	40300	